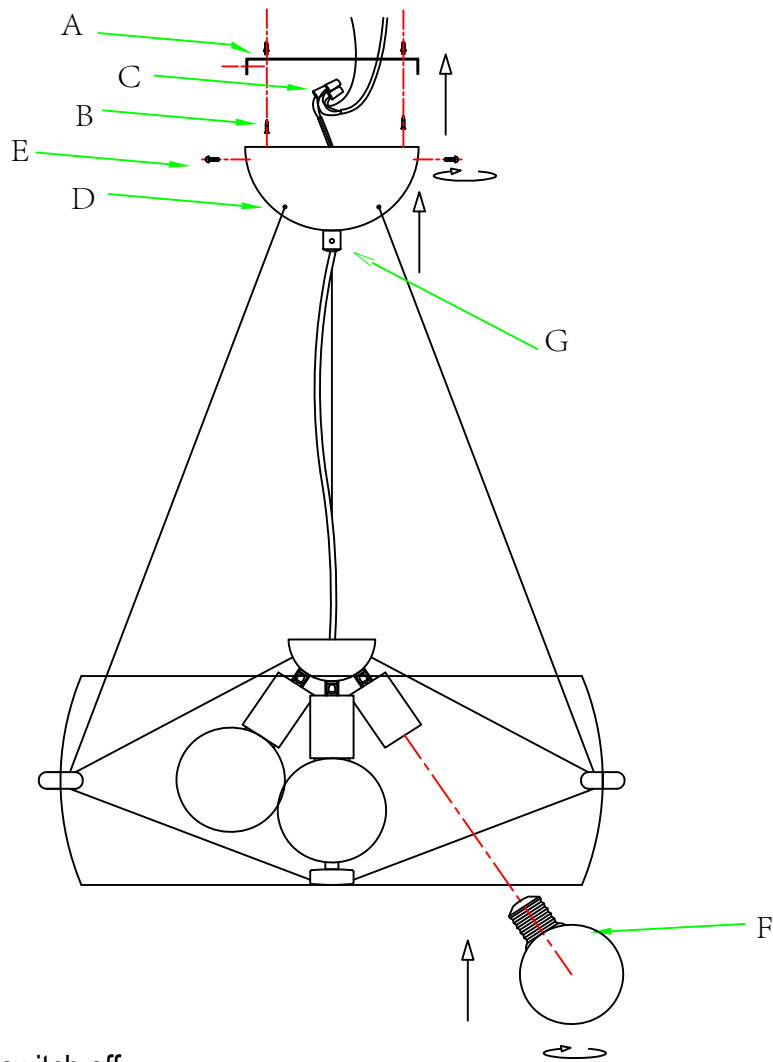


# PLE LIGHTING

81558

INSTALLATION INSTRUCTIONS:



- 1, Ensure mains supply is switch off.
- 2, Fit crossing bar(A) into mouting surface with self-tapping screws(B).
- 3, Make the wiring connections: Using wire connectors (C) connect the house white wire(s) to the fixture white( or ribbed) lead(s); connect the house black( or red) wire(s) to the fixture black( or smooth) lead(s). Make sure there are no exposed wires or stands, and the connections are secured.
- 4, Fit mounting box(D) onto crossing bar with screws (E).
- 5, Fit bulb(s) (F) into lampholder(s).
- 6, Adjust fixture to custom length using with cable gripper (G).

## WARNING :

- Electricity supply required 110-120v 60 htz alternating current.
- Use only the correct light bulbs as stipulated on the luminaries .
- Disconnect the power and allow fitting cool down before cleaning or changing bulb(s).
- If any malfunction occurs, switch of mains and contact a qualified electrician .
- Do not modify this unit in any manner.